

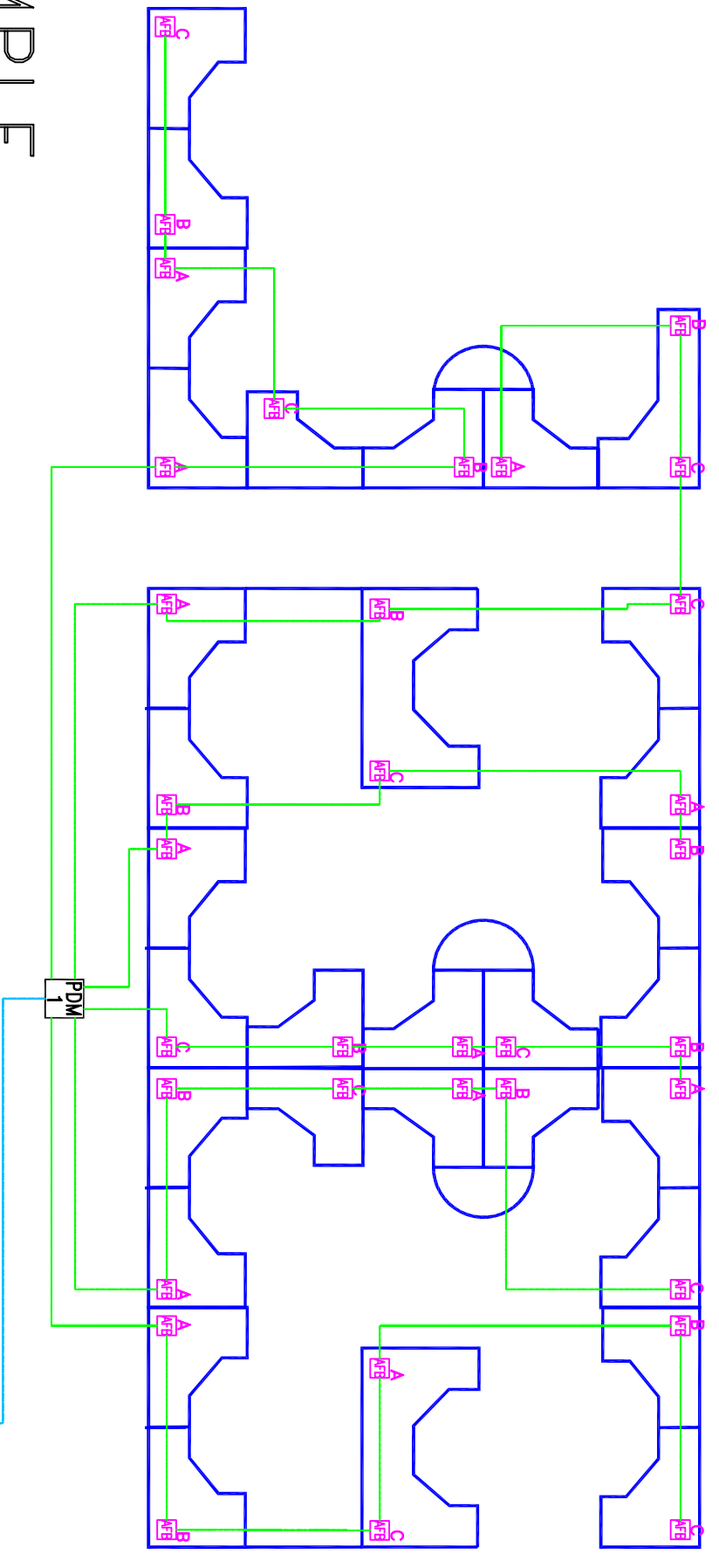
SAMPLE

REVISIONS

APPROVAL SIGNATURES	DATE
X _____	_____
X _____	_____
X _____	_____

JOB NUMBER:	_____
DRAWN BY: TRB	DATE: _____
CHECKED BY:	SCALE: NTS
SHEET TITLE:	
18 CKT PDM DETAIL	

DRAWING #:
248-931-931-3D
FILE NAME: SAMPLES

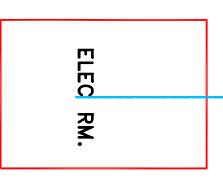
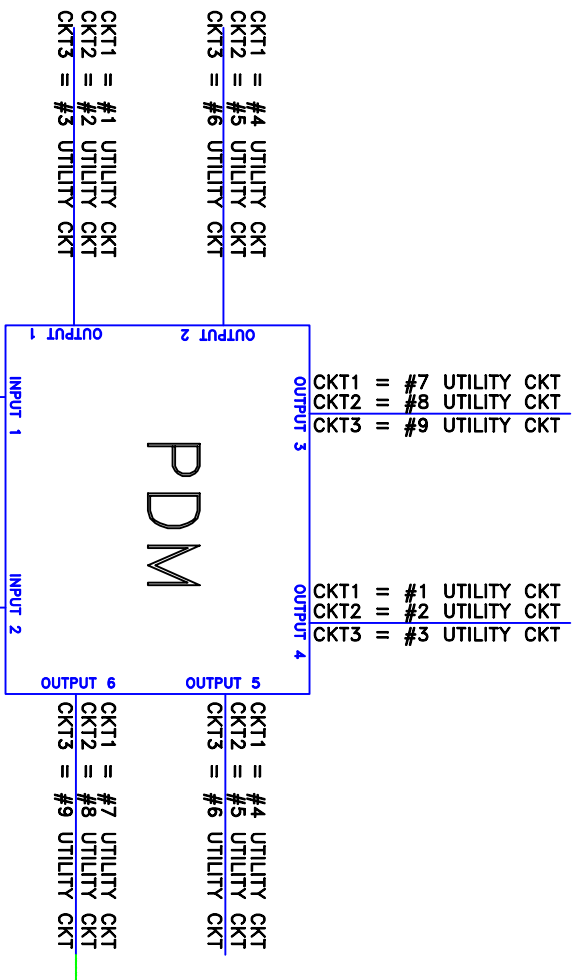


SAMPLE

SYMBOL LEGEND	
	8 PORT PRIMARY DISTRIBUTION BOX
	BOX W/ 6-10 PIN CONNECTORS
	ACCESS FLOOR BOX
	VER. A (WHIP CKT 1)
	VER. B (WHIP CKT 2)
	VER. B (WHIP CKT 3)

* CIRCUITS 1,2&3 ARE UTILITY PURPOSE.

WHIP LEGEND	
	JUMPER WHIP
	JUMPER WHIP
X'C	_____
XX'C	_____
	HOMERUN WHIP FROM ELEC ROOM
XX'HR	_____
XX'HR	_____



NOTES:
* PRIMARY DISTRIBUTION BOXES CONSIST OF 18 HOTS, 6 NEUTRALS AND 2 GROUNDS FOR THE INPUT POWER AND 3 HOTS, 3 NEUTRALS AND 1 GROUNDS FOR THE OUTPUT POWER.

