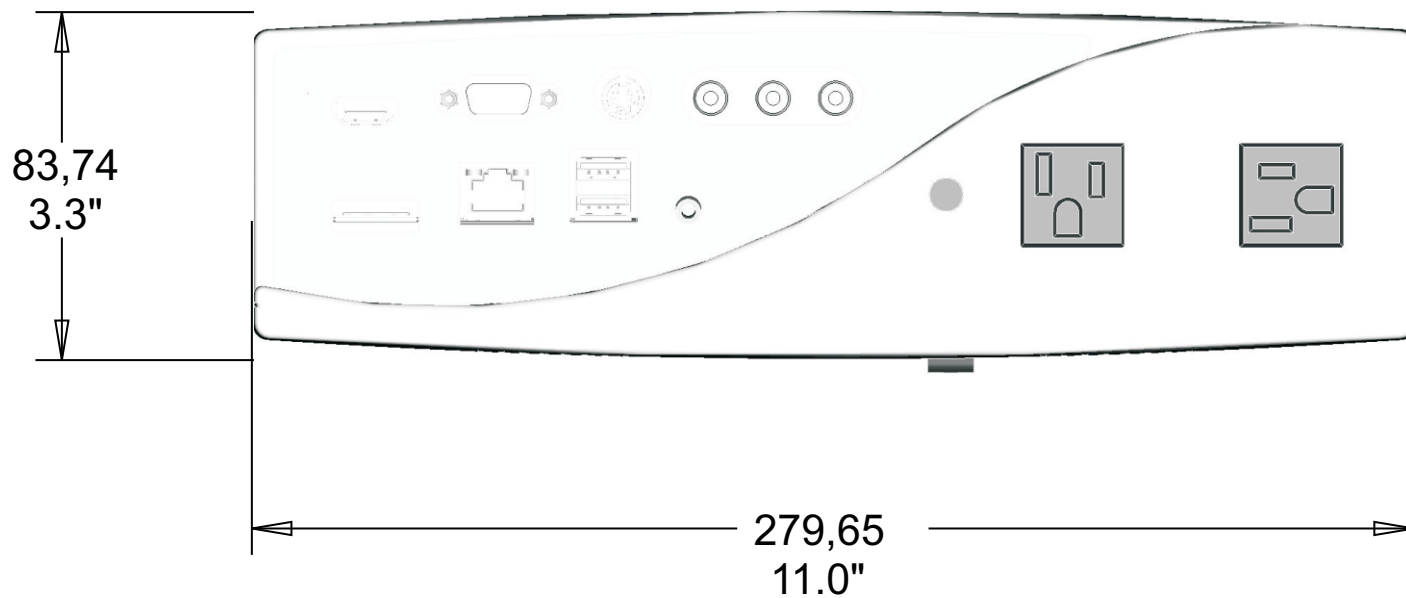
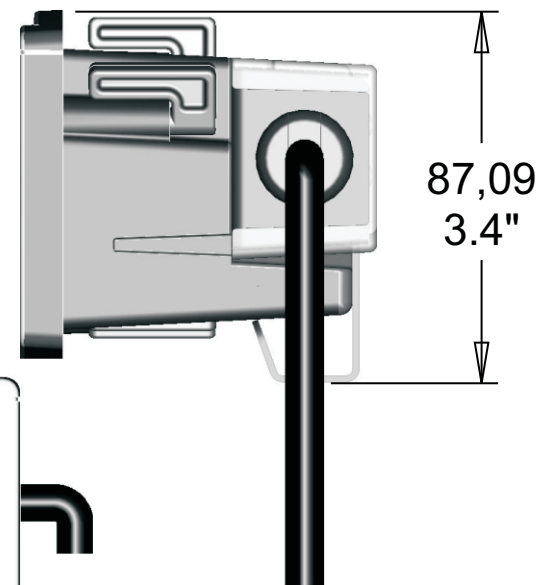
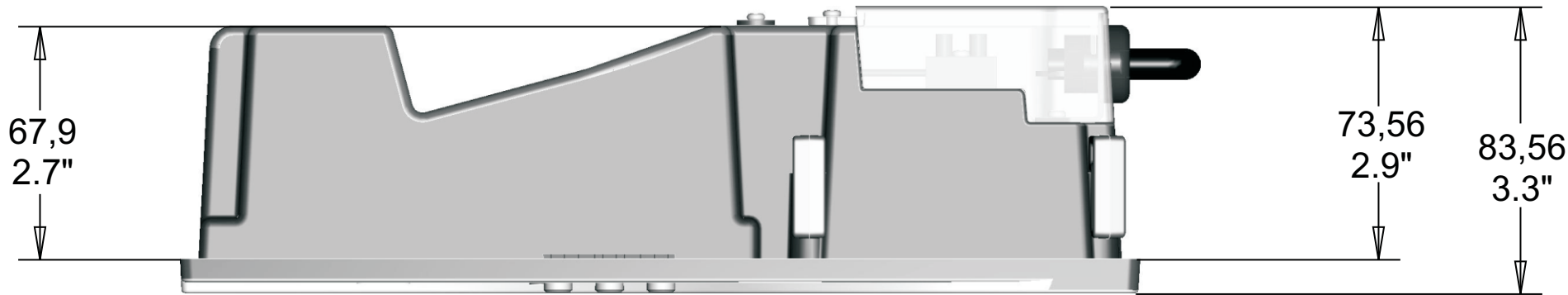



SEE PART	SEE PART	SEE PART
MATERIAL	GRADE	TEXTURE
METRIC ALL DIMENSIONS ARE IN MILLIMETERS TOLERANCES: X.X ± 0.2 ANGLE±0.5° X.XX ± 0.10 X.XXX ± 0.050		DWG NO: FA-AV69005-GL
THIRD ANGLE PROJECTION	DRN BY: ELLERMAN 01JUN2008	CHKD BY: STASIAK 06JUN2008
SIZE: D	DO NOT SCALE DRAWING	SCALE: 1.000 SHEET 1 OF 2

PW1



PW1A

MATERIAL	GRADE	TEXTURE
METRIC ALL DIMENSIONS ARE IN MILLIMETERS TOLERANCES: X.X ± 0.2 ANGLE±0.5° X.XX ± 0.10 X.XXX ± 0.050		
PW1-A GENERIC ASSEMBLY		DWG NO: PW1-A_OVERALL_SIZE
THIRD ANGLE PROJECTION 	DRN BY: STASIAK 02-02-09	CHKD BY: REV A
SIZE: B	DO NOT SCALE DRAWING	SCALE: 0.500 SHEET 2 OF 2