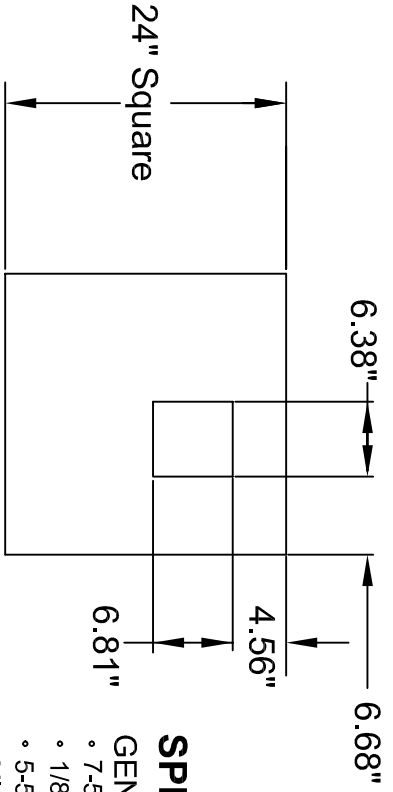
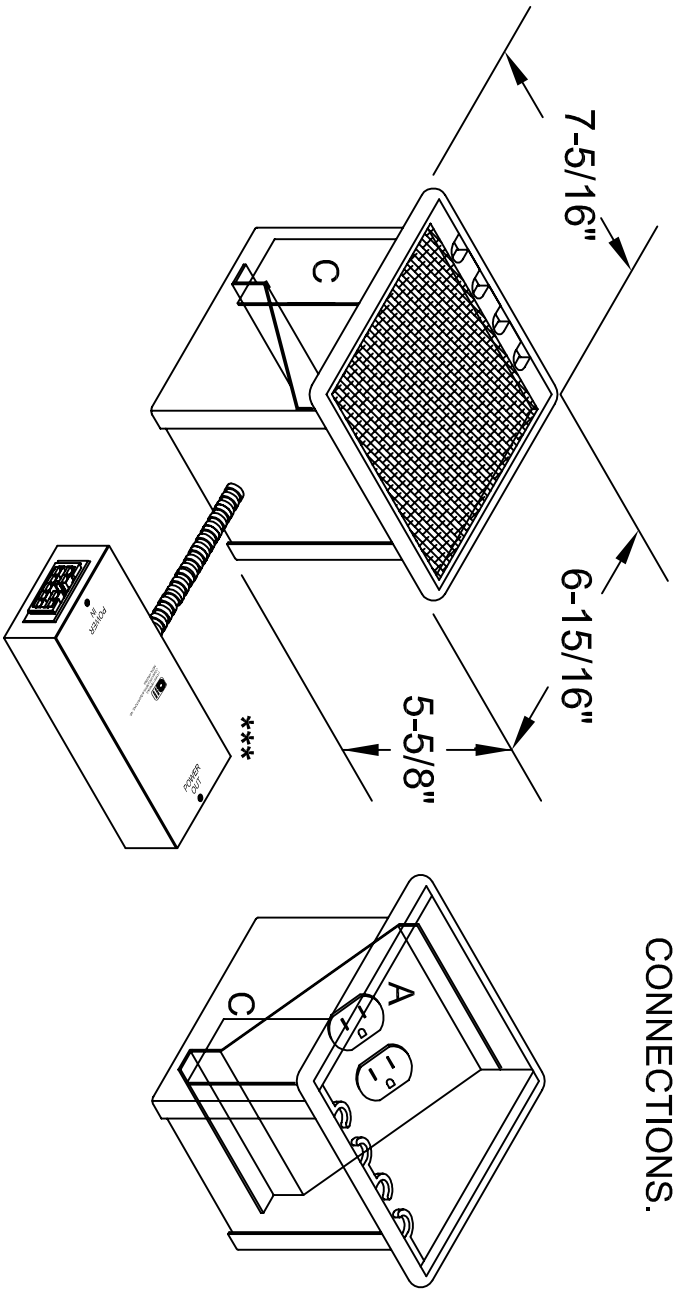


*** COUPLER USED FOR MODULAR CONNECTIONS.
 *** OPEN WHIP USD FOR HARD WIRE CONNECTIONS.



A = DUPLEX LOCATION (SEE WIRING DWG FOR DETAILS)
 C = VOICE/DATA INTERFACE PLATE

*** ORANGE DUST COVER FOR EACH 10 PIN CONNECTOR

SPECIFICATIONS

GENERAL INFORMATION

- 7-5/16" x 6-15/16" Lid Assembly
- 1/8" Thick Low Profile Trim Frame
- 5-5/8" Overall Depth For 6"
- Minimum Finished Floor Height
- Cutout Size Is 6-3/8" x 6-3/4"
- Lid Color - Black
- One or Two Standard or Isolated Ground Duplex Receptacles
- Voice/Data Plates - One Grommetted Port Interface Plate and 1 Interface Plate for (2) Lucent "M" Series Jacks
- Carpet Or Vinyl Insert is Field Supplied and Installed



COMMUNICATIONS INTEGRATORS INC.
 1835 SOUTH MACDONALD SUITE 103
 MESA, ARIZONA 85210
 (480) 464-8101
 COPYRIGHT © 2000 CMI COMMUNICATIONS INTEGRATORS INC. ALL RIGHTS RESERVED.

REVISIONS

APPROVAL SIGNATURES	DATE
X _____	_____
X _____	_____
X _____	_____
X _____	_____

JOB NUMBER:	DATE: 12-7-05
DRAWN BY: TRB	SCALE:
CHECKED BY:	
SHEET TITLE:	
2 DUPLEX - 6" FFH ACCESS FLOOR BOX	
DRAWING #:	
SCSF - 1X	
FILE NAME:	